

## SKI INSTALLATION INSTRUCTIONS

ARCTIC CAT  
ALL 120cc MODELS 2017 & OLDER  
MOUNTING KIT #76000276

1. Remove old ski.
2. Discard unneeded hardware.
3. Install carbide on ski using the manufacturers guidelines & hardware.
4. Insert the rubber dampener into the dampener cradle and place the assembly in the ski with the tall side of the dampener towards the rear of the ski. (see Figure 2)
5. Place the two bushings into the inner saddle of the ski and push outward into the saddles, they will fit very tightly. (see Figure 1)
6. Recommend greasing spindle bolt.
7. Using remaining hardware, secure ski to snowmobile. (see diagram)
8. Repeat steps 1-7 for other ski.

ITEM#	PART#	DESCRIPTION	QTY
1	77000281	DAMPENER - 281	2
2	77000286	CRADLE, DAMPENER	2
3	76000185	BOLT, 3/8"-16 X 5" HEX	2
4	76000219	WASHER, 1.5" X .406" X .187"	4
5	76000273	BUSHING ARCTIC CAT MINI 120	4
6	76000188	NUT, 3/8"-16 TOP LOCK	2

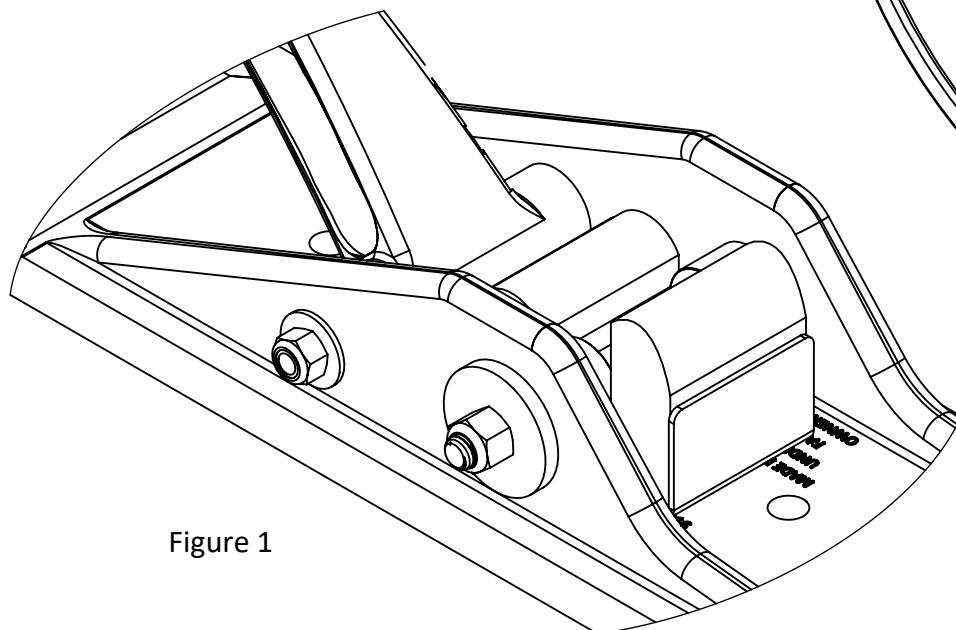


Figure 1

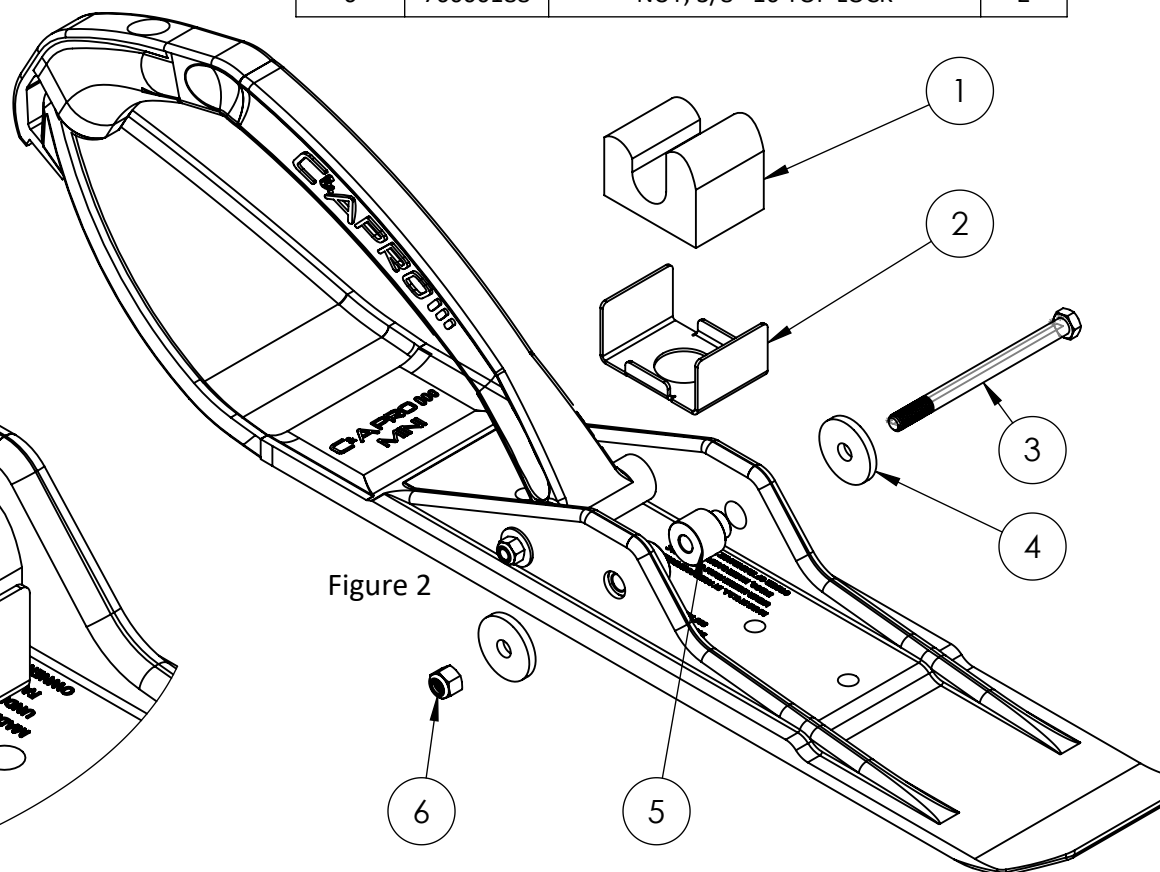


Figure 2