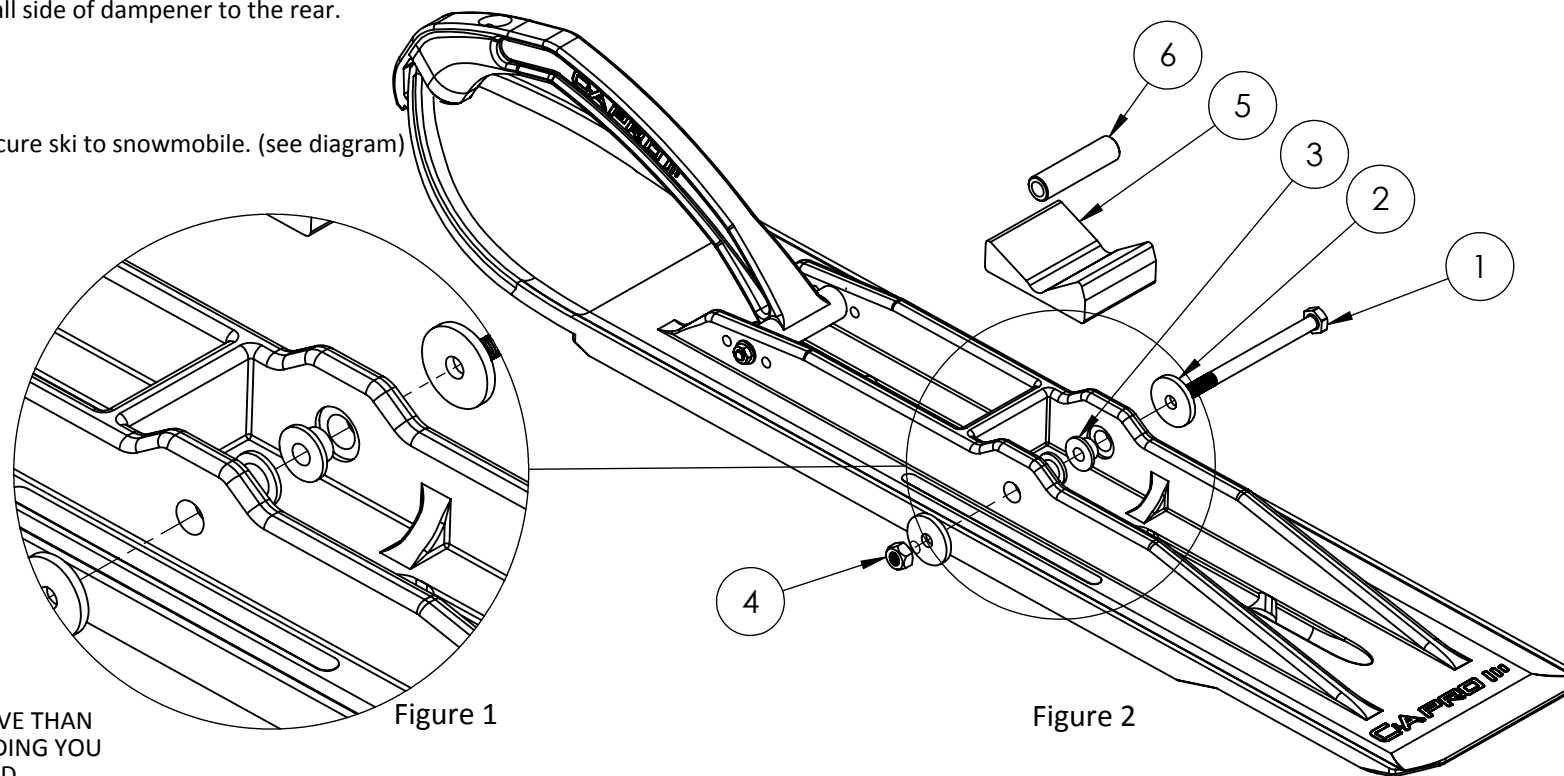


## SKI INSTALLATION INSTRUCTIONS

2016 & NEWER ARCTIC CAT PROCROSS/PROCLIMB  
MOUNTING KIT #76000355

1. Remove old ski.
2. Discard unneeded hardware (OEM Axle Spindle, bolt, nut, & 3 of the Poly Stance Spacers).
3. Install the Provided C&A Axle Spindle and one of the Poly OEM Ski Stance Spacers saved from Step #2. \*Note that with this kit, the ski stance can only be adjusted 1/2" in or out.
4. Install carbide on ski using the manufacturers guidelines & hardware.
5. Place the two spools (top hat shaped) into the inner saddle of the ski and push outward until flush in the saddles, they will fit very tightly. (see Figure 1)
6. Place the rubber dampener in the ski, tall side of dampener to the rear. (see Figure 2 for dampener orientation)
7. Recommend greasing spindle bolt.
8. Using remaining provided hardware, secure ski to snowmobile. (see diagram)
9. Repeat steps 1-8 for other ski.

ITEM#	PART#	DESCRIPTION	QTY
1	76000190	METRIC BOLT, 10-1.5 X 130MM HEX	2
2	76000219	WASHER, 1.5" X .406" X .187"	4
3	76000246	BUSHING 10MM	4
4	76000193	METRIC NUT, M10-1.5 NYLOC	2
5	77000271	DAMPENER - 271	2
6	76000354	AXLE SPINDLE	2



**NOTE:**  
BY DESIGN, THE SKIS ARE MORE AGGRESSIVE THAN FACTORY STANDARD SKIS. IF FOR TRAIL RIDING YOU FIND THAT THE SKIS ARE TURNING TO HARD, YOU MAY WANT TO LIGHTEN SKI PRESSURE FOR EASIER TURNING. FOR ASSISTANCE ON LIGHTENING SKI PRESSURE, CONSULT YOUR SNOWMOBILE OWNERS MANUAL OR YOUR SNOWMOBILE DEALER.