

## SKI INSTALLATION INSTRUCTIONS

POLARIS - ALL 120cc MODELS  
MOUNTING KIT #76000275

1. Remove old ski.
2. Discard unneeded hardware.
3. Install carbide on ski using the manufacturers guidelines & hardware.
4. Insert the rubber dampener into the dampener cradle and place the assembly in the ski with the tall side of the dampener towards the rear of the ski. (see Figure 2)
5. Place the two bushings into the inner saddle of the ski and push outward into the saddles, they will fit very tightly. (see Figure 1)
6. Recommend greasing spindle bolt.
7. Using remaining hardware, secure ski to snowmobile. (see diagram)
8. Repeat steps 1-7 for other ski.

ITEM#	PART#	DESCRIPTION	QTY
1	76000165	BOLT, 5/16"-16 X 5" HEX	2
2	76000219	WASHER, 1.5" X .406" X .187"	4
3	76000272	BUSHING POLARIS - MINI MITS	4
4	76000166	NUT, 5/16"-16 NYLOK	2
5	77000280	DAMPENER - 280	2
6	77000286	CRADLE, DAMPENER	2

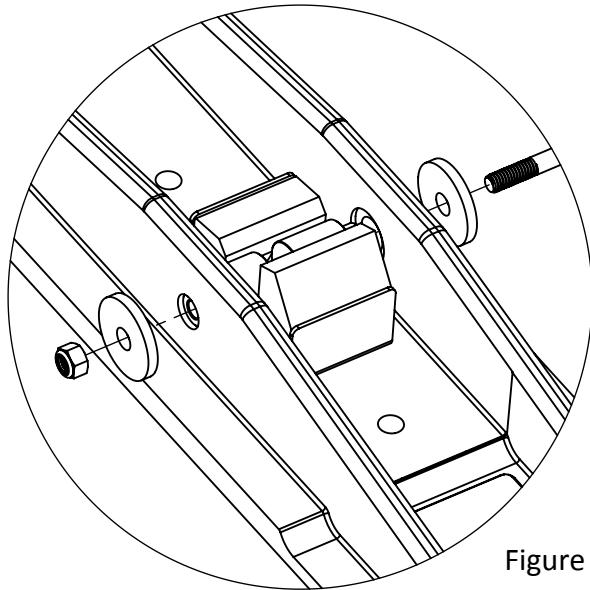


Figure 1

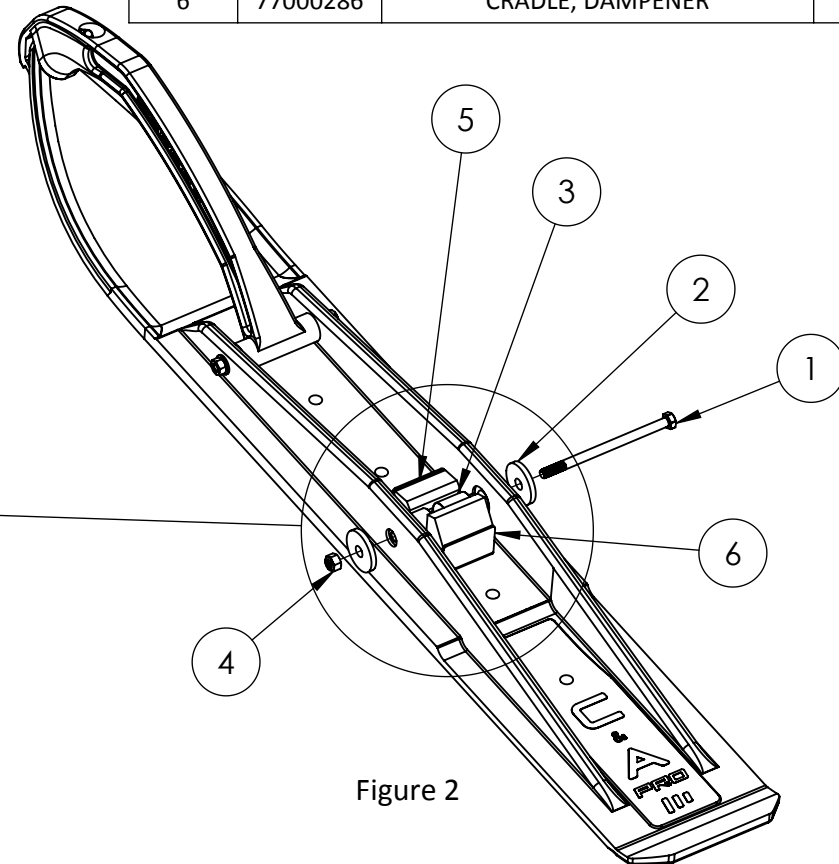


Figure 2



120 Eastgate Drive SE  
Hutchinson, MN 55350

1-888-321-6789  
www.caproskis.com

# SKI INSTALLATION INSTRUCTIONS ALIGNMENT

Once the skis are installed, check the distance between the skis. To eliminate darting, we recommend the distance between the front toes of the skis to be  $3/8$ " wider than the back of the skis. To do this, measure the two distances shown and make sure Distance #2 is  $3/8$ " wider than Distance #1. The skis should also be parallel with the snowmobile track (within  $3/8$ ", check by taking a straight edge and align it with the track). If the skis are parallel to the track, then they will also be aligned with the straight edge.

